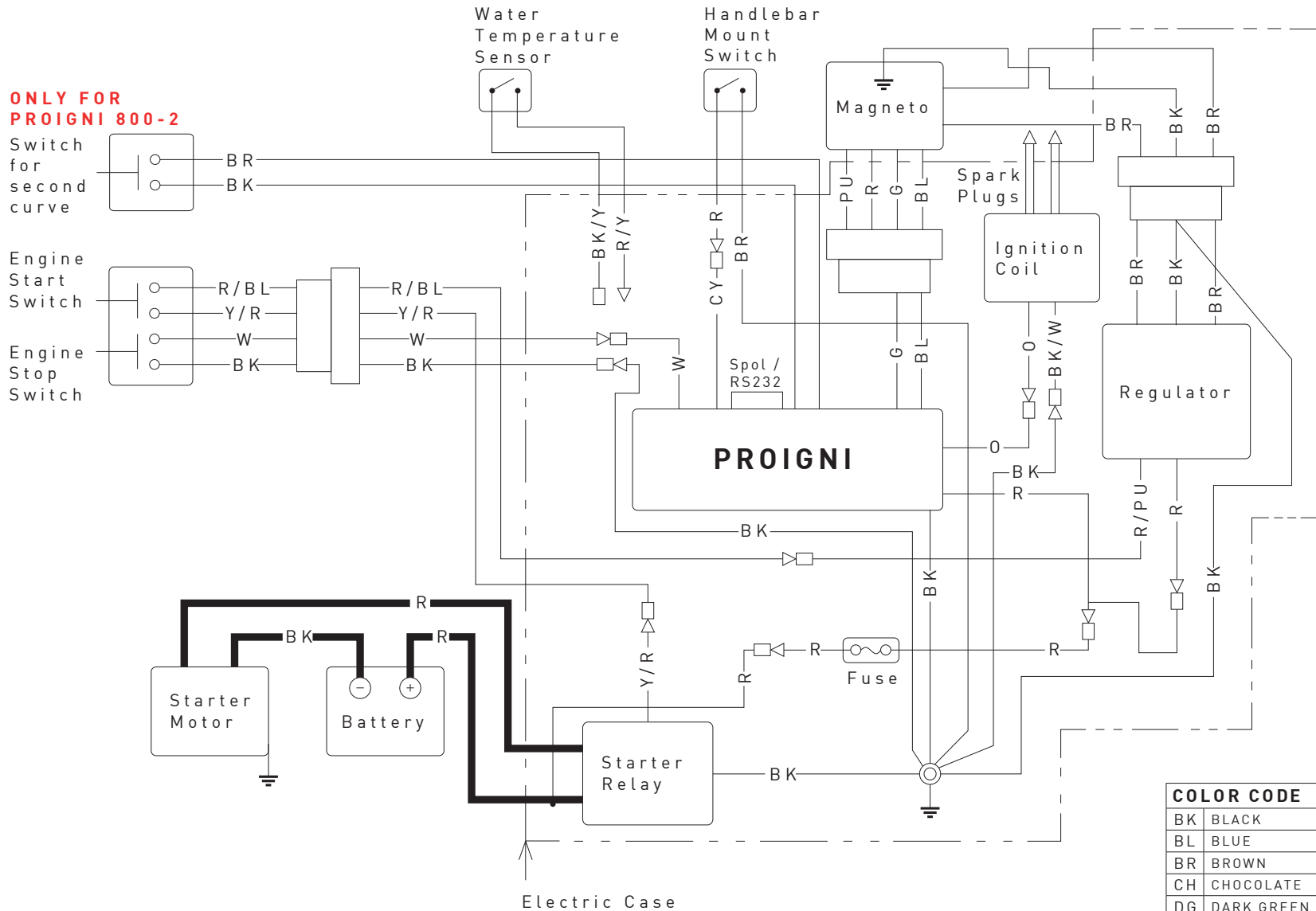


SCHEME FOR 2003 MODEL



ONLY FOR PROIGNI 800-2

COLOR CODE	
BK	BLACK
BL	BLUE
BR	BROWN
CH	CHOCOLATE
DG	DARK GREEN
G	GREEN
CY	GRAY
LB	LIGHT BLUE
LG	LIGHT GREEN
O	ORANGE
P	PINK
PU	PURPLE
R	RED
W	WHITE
Y	YELLOW

LEFT HANDLEBAR SWITCH CONNECTIONS					
ENGINE START SWITCH			ENGINE STOP SWITCH		
COLOR	R/BL	Y/R	COLOR	W	BK
PUSH	●	○	PUSH	○	●
OFF	○	●	OFF	●	○

WIRING DIAGRAM
PROIGNI
 for Kawasaki SXR 800 (2003)